

Moorestown



Moorestown Handleset with Small Knob

*Handlesets are Made-to-Order		Standard	Distressed	ETERNA
973904	Moorestown Handleset with Small Knob Entry	1,630.58	1,810.00	1,975.64
973908	Moorestown Handleset with Small Knob Full Dummy	1,020.82	1,178.72	1,296.94

Moorestown Handleset with Large Knob

*Handlesets are Made-to-Order		Standard	Distressed	ETERNA
974904	Moorestown Handleset with Large Knob Entry	1,693.44	1,872.08	2,053.52
974908	Moorestown Handleset with Large Knob Full Dummy	1,065.62	1,219.60	1,351.26

Prices are based upon a standard 1.75 inch door thickness and 2.5 inch backset lock. Other backsets and accommodations for alternate door thicknesses are available at extra cost. Please check with customer service.

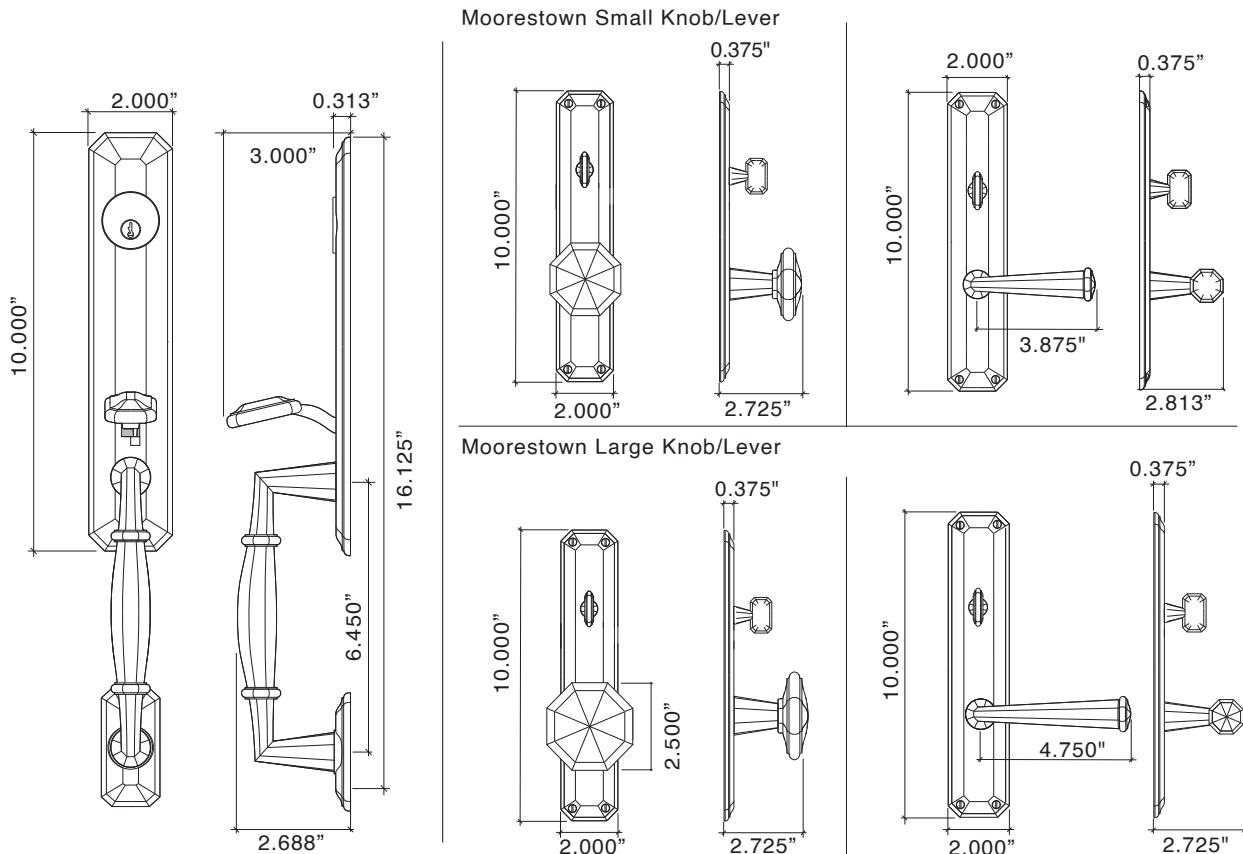
All Prices in US Dollars - Prices Subject to Change Without Notice
Please Check with Customer Service for Up to Date Pricing.

Moorestown Handleset with Small Lever

*Handlesets are Made-to-Order		Standard	Distressed	ETERNA
971904	Moorestown Handleset with Small Lever Entry	1,643.04	1,815.50	1,981.75
971908	Moorestown Handleset with Small Lever Full Dummy	1,007.45	1,163.02	1,279.50

Moorestown Handleset with Large Lever

*Handlesets are Made-to-Order		Standard	Distressed	ETERNA
972904	Moorestown Handleset with Large Lever Entry	1,670.26	1,847.44	2,024.74
972908	Moorestown Handleset with Large Lever Full Dummy	1,042.44	1,194.96	1,322.47



Moorestown Handleset



Moorestown Handleset
Exterior



Interior Lever



Interior Knob

-
- Solid Forged Brass Octagonal Faceted Handleset with Detailed Thumb-Latch and Plate
 - Faceted Octagonal Design
 - Interior Trim Options: Knob/Lever on Escutcheon or Full Interior Handleset, all in Solid Forged Brass
 - All Von Morris Knobs, Levers, Roses and Escutcheon Sets are available for Interior Trim
 - Prices are based upon a standard 1.75 inch door thickness and 2.5 inch backset lock. Other backsets and accommodations for alternate door thicknesses are available at extra cost. Please check with customer service.



Moorestown Multi-Point Trim w Small Lever - American Cylinder

*Multi-Point Trim is Made-to-Order		Standard	Distressed	ETERNA
72901	Moorestown American Cylinder MP Active	1197.84	1330.50	1505.67
72902	Moorestown American Cylinder Full Dummy	794.70	931.22	1032.98
72903	Moorestown American Cylinder Passage	829.47	966.00	1067.75
72904	Moorestown American Cylinder Patio	955.70	1074.19	1209.43
72905	Moorestown American Cylinder Fixed			
	Ext./Active Int.	915.77	1052.30	1154.05



Moorestown Multi-Point Trim w Small Lever - Euro Profile Cylinder

*Multi-Point Trim is Made-to-Order		Standard	Distressed	ETERNA
71901	Moorestown European Profile Cylinder MP Active	1183.67	1321.49	1500.52
71902	Moorestown European Profile Cylinder Full Dummy	794.70	931.22	1032.98
71903	Moorestown European Profile Cylinder Passage	829.47	966.00	1067.75
71904	Moorestown European Profile Cylinder Patio	1085.78	1232.62	1360.13
71905	Moorestown European Profile Cylinder Fixed			
	Ext./Active Int.	915.77	1052.30	1154.05

All Prices in US Dollars - Prices Subject to Change Without Notice
Please Check with Customer Service for Up to Date Pricing.



Moorestown Multi-Point Trim w Large Lever - American Cylinder

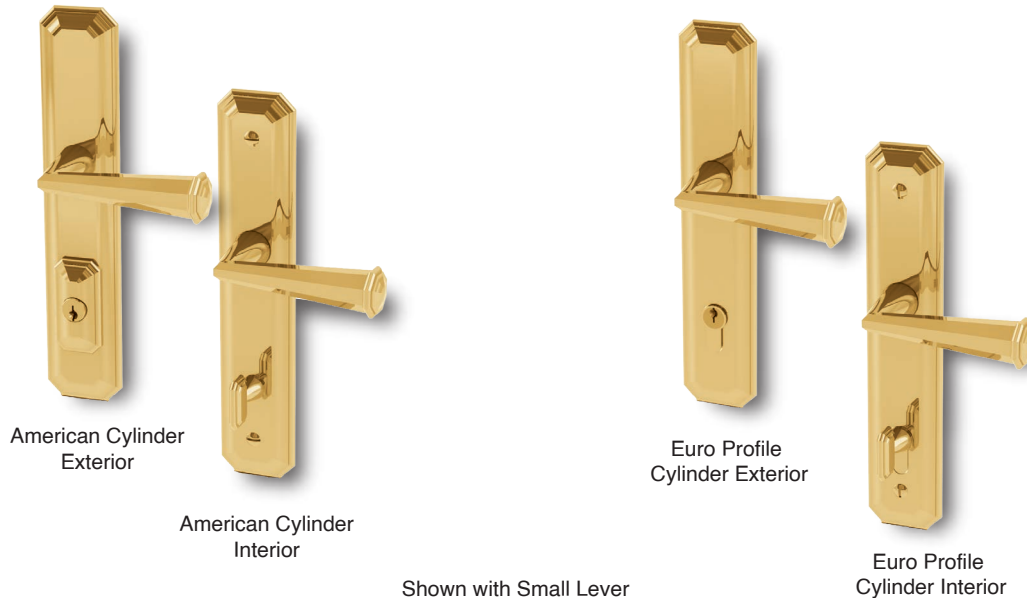
*Multi-Point Trim is Made-to-Order		Standard	Distressed	ETERNA
72901C	Moorestown American Cylinder MP Active	1278.98	1403.92	1604.85
72902C	Moorestown American Cylinder Full Dummy	875.84	1004.64	1132.15
72903C	Moorestown American Cylinder Passage	910.62	1039.42	1166.93
72904C	Moorestown American Cylinder Patio	925.75	1024.65	1168.40
72905C	Moorestown American Cylinder Fixed			
	Ext./Active Int.	996.91	1125.71	1253.22



Moorestown Multi-Point Trim w Large Lever - Euro Profile Cylinder

*Multi-Point Trim is Made-to-Order		Standard	Distressed	ETERNA
71901C	Moorestown European Profile Cylinder MP Active	1264.82	1394.90	1599.70
71902C	Moorestown European Profile Cylinder Full Dummy	875.84	1004.64	1132.15
71903C	Moorestown European Profile Cylinder Passage	910.62	1039.42	1166.93
71904C	Moorestown European Profile Cylinder Patio	1166.93	1306.03	1459.30
71905C	Moorestown European Profile Cylinder Fixed			
	Ext./Active Int.	996.91	1125.71	1252.65

Moorestown Multi-Point Trim



American Cylinder
Exterior

American Cylinder
Interior

Shown with Small Lever

Euro Profile
Cylinder Exterior

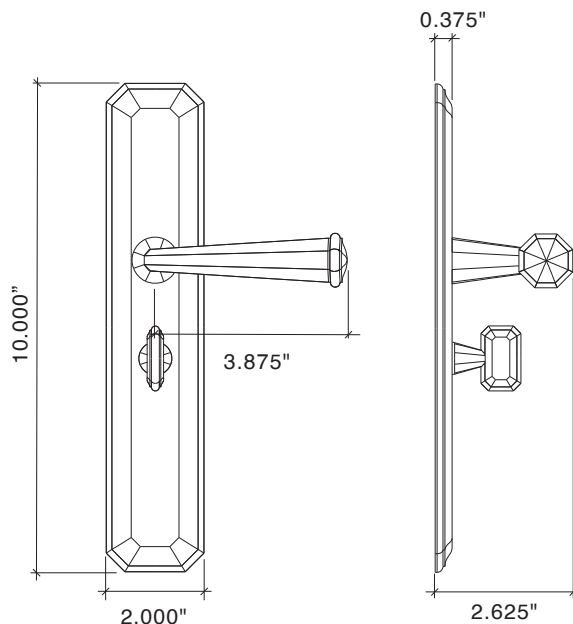
Euro Profile
Cylinder Interior

Von Morris Moorestown Multi-Point lock trim is Custom Made-to-Order. Your trim will be crafted to the door specifications/details/measurements you provide.

In classic Von Morris style, paying exacting attention to detail, all Von Morris Escutcheon Plates may be modified to fit a multitude of Multi-Point locks in either Euro Profile Cylinder or American Cylinder.

The Von Morris American Cylinder Multi-Point trim is different from other manufacturers. Von Morris has redesigned every aspect of the Multi-Point Trim, including the American Cylinder Mounting Blocks. Instead of one generic block mounted to all styles, each suite gets its own unique suited block. For Profile Cylinder trims, the turn piece mounted to the Profile Cylinder is the same design as the trim.

Von Morris is the only mainline manufacturer to stay true to its suited line, offering the same attention to detail that is available in every Knob, Lever, Rose and Escutcheon Plate. This allows you to complete a full hardware schedule with the same style, detail, quality, and value for which the Von Morris product has come to be known.



- Highly Detailed Moorestown Design
- Solid forged brass with Moorestown Lever and Plate
- Adaptor for American cylinder block has the same detailing as rest of Moorestown suite.
- Turnpieces for both American cylinder and European Profile cylinder share the same detailing as rest of Moorestown suite

All Prices in US Dollars - Prices Subject to Change Without Notice
Please Check with Customer Service for Up to Date Pricing.



Moorestown Escutcheon Sets with Small Moorestown Knob

	Entry Mortise	Standard	Distressed	ETERNA
91922	Moorestown Escutcheon Small Knob Set -Entry Mortise Set	1402.30	1576.51	1729.69
91928	Moorestown Escutcheon Small Knob Set -Entry Mortise Dummy	678.44	792.12	877.04
IML Mortise Sets				
81921	Moorestown Escutcheon Small Knob Set - IML Passage	840.73	960.85	1066.37
81922	Moorestown Escutcheon Small Knob Set - IML Privacy	1046.81	1,188.82	1305.94
81923	Moorestown Escutcheon Small Knob Set - IML Bit Key	956.65	1,083.21	1195.17
81924	Moorestown Escutcheon Small Knob Set- IML Single	1104.77	1,255.80	1383.22
81925	Moorestown Escutcheon Small Knob Set - IML Double	1037.79	1,175.95	1298.21
81926	Moorestown Escutcheon Small Knob Set - IML Patio Set	1023.63	1,164.35	1280.18
Tubular Latch Sets				
819214	Moorestown Escutcheon Small Knob Set - TL Passage, 2-3/4 BS	679.73	797.27	892.49
819218	Moorestown Escutcheon Small Knob Set - TL Passage, 2-3/8 BS	679.73	797.27	892.49
819224	Moorestown Escutcheon Small Knob Set - TL Privacy, 2-3/4 BS	736.40	856.52	950.45
819228	Moorestown Escutcheon Small Knob Set - TL Privacy, 2-3/8 BS	736.40	856.52	950.45
819212	Moorestown Escutcheon Small Knob Set - Privacy (Passage TL with Mortise Bolt 2-3/8 BS)	902.55	1,061.31	197.75
Dummy Trim				
81927	Moorestown Escutcheon Small Knob Set - Single Dummy	316.68	369.66	409.54
81928	Moorestown Escutcheon Small Knob Set- Pair of Dummies	629.50	735.62	815.21

All IML Privacy and Tubular Mortise Bolt Privacy Sets come with ER Trim Standard on the Exterior. Exterior Bit Key Trim can be substituted for no additional charge.

Prices are based upon a standard 1.75 inch door thickness and 2.5 inch backset lock. Other backsets and accommodations for alternate door thicknesses are available at extra cost. Please check with customer service.



Moorestown Escutcheon Sets with Large Moorestown Knob

	Entry Mortise	Standard	Distressed	ETERNA
91902	Moorestown Escutcheon Large Knob Set -Entry Mortise Set	1506.32	1653.79	1831.79
91908	Moorestown Escutcheon Large Knob Set -Entry Mortise Dummy	782.46	869.40	979.13
IML Mortise Sets				
81901	Moorestown Escutcheon Large Knob Set - IML Passage	944.75	1038.13	1168.47
81902	Moorestown Escutcheon Large Knob Set - IML Privacy	1150.83	1266.10	1408.04
81903	Moorestown Escutcheon Large Knob Set - IML Bit Key	1060.67	1160.49	1297.27
81904	Moorestown Escutcheon Large Knob Set - IML Single	1208.79	1333.08	1485.32
81905	Moorestown Escutcheon Large Knob Set - IML Double	1141.81	1253.22	1400.31
81906	Moorestown Escutcheon Large Knob Set - IML Patio Set	1127.64	1241.63	1382.28
Tubular Latch Sets				
819014	Moorestown Escutcheon Large Knob Set - TL Passage, 2-3/4 BS	783.75	874.55	994.59
819018	Moorestown Escutcheon Large Knob Set - TL Passage, 2-3/8 BS	783.75	874.55	994.59
819024	Moorestown Escutcheon Large Knob Set - TL Privacy, 2-3/4 BS	839.71	933.80	1052.55
819028	Moorestown Escutcheon Large Knob Set - TL Privacy, 2-3/8 BS	839.71	933.80	1052.49
819012	Moorestown Escutcheon Large Knob Set - Privacy (Passage TL with Mortise Bolt 2-3/8 BS)	1006.57	1138.59	1299.85
Dummy Trim				
81907	Moorestown Escutcheon Large Knob Set - Single Dummy	368.69	408.30	460.59
81908	Moorestown Escutcheon Large Knob Set - Pair of Dummies	733.52	812.73	917.31

Lever High

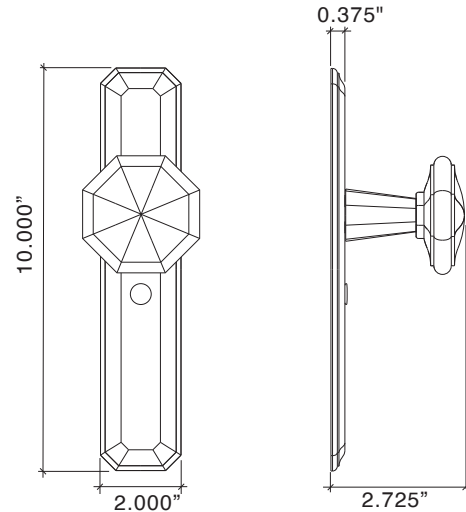
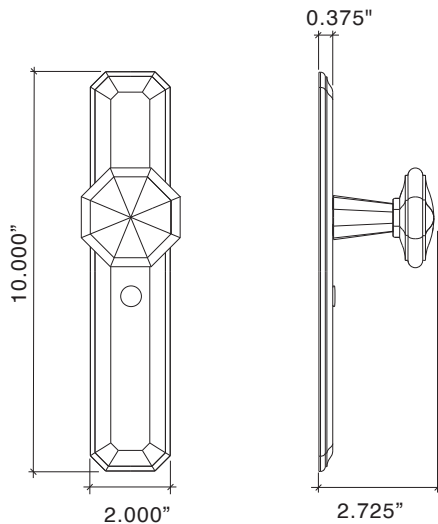
Moorestown Knob Escutcheon Sets



- Traditional Octagonal Design
- Forged Brass Escutcheon Inside and Outside
- Solid Forged Brass Knob/Lever
- Hand Polished
- Plates available with Cuts for all Von Morris Locks as well as Custom Cuts for other Manufacturers' Locks
- Specify door thickness when ordering
- All IML Privacy and Tubular Mortise Bolt Privacy Sets come with ER Trim Standard on the Exterior. Exterior Bit Key Trim can be substituted for no additional charge.

Moorestown Trim with Small Moorestown Knob 8808-175

Moorestown Trim with Large Moorestown Knob 8808-275



All Prices in US Dollars - Prices Subject to Change Without Notice
Please Check with Customer Service for Up to Date Pricing.



Moorestown Escutcheon Sets with Small Moorestown Lever

Entry Mortise		Standard	Distressed	ETERNA
91932	Moorestown Escutcheon Small Lever Set -Entry Mortise Set	1,413.07	1,589.35	1,743.76
91938	Moorestown Escutcheon Small Lever Set -Entry Mortise Dummy	689.22	804.95	891.10
IML Mortise Sets				
81931	Moorestown Escutcheon Small Lever Set - IML Passage	840.73	973.68	1,080.44
81932	Moorestown Escutcheon Small Lever Set - IML Privacy	1,075.48	1,201.66	1,320.00
81933	Moorestown Escutcheon Small Lever Set - IML Bit Key	985.32	1,096.04	1,209.24
81934	Moorestown Escutcheon Small Lever Set- IML Single	1,133.44	1,268.63	1,397.28
81935	Moorestown Escutcheon Small Lever Set - IML Double	1,066.46	1,188.78	1,312.28
81936	Moorestown Escutcheon Small Lever Set - IML Patio Set	1,113.72	1,249.06	1,373.97
Tubular Latch Sets				
819314	Moorestown Escutcheon Small Lever Set - TL Passage, 2-3/4 BS	708.40	810.11	906.56
819318	Moorestown Escutcheon Small Lever Set - TL Passage, 2-3/8 BS	708.40	810.11	906.56
819324	Moorestown Escutcheon Small Lever Set - TL Privacy, 2-3/4 BS	765.07	869.35	964.52
819328	Moorestown Escutcheon Small Lever Set - TL Privacy, 2-3/8 BS	765.07	869.35	964.52
819312	Moorestown Escutcheon Small Lever Set - Privacy (Passage TL with Mortise Bolt 2-3/8 BS)	931.22	1,074.15	1,211.81
Dummy Trim				
81937	Moorestown Escutcheon Small Lever Set - Single Dummy	331.02	376.07	416.56
81938	Moorestown Escutcheon Small Lever Set- Pair of Dummies	658.17	748.28	829.28



All IML Privacy and Tubular Mortise Bolt Privacy Sets come with ER Trim Standard on the Exterior. Exterior Bit Key Trim can be substituted for no additional charge.

Prices are based upon a standard 1.75 inch door thickness and 2.5 inch backset lock. Other backsets and accommodations for alternate door thicknesses are available at extra cost. Please check with customer service.

Moorestown Escutcheon Sets with Large Moorestown Lever

Entry Mortise		Standard	Distressed	ETERNA
91912	Moorestown Escutcheon Large Lever Set -Entry Mortise Set	1,489.70	1,662.81	1,842.69
91918	Moorestown Escutcheon Large Lever Set -Entry Mortise Dummy	769.80	878.42	989.95
IML Mortise Sets				
81911	Moorestown Escutcheon Large Lever Set - IML Passage	931.99	1,047.14	1,179.29
81912	Moorestown Escutcheon Large Lever Set - IML Privacy	1,138.07	1,275.12	1,418.86
81913	Moorestown Escutcheon Large Lever Set - IML Bit Key	1,047.91	1,169.50	1,308.09
81914	Moorestown Escutcheon Large Lever Set - IML Single	1,196.03	1,342.10	1,496.14
81915	Moorestown Escutcheon Large Lever Set - IML Double	1,129.06	1,262.24	1,411.13
81916	Moorestown Escutcheon Large Lever Set - IML Patio Set	1,114.89	1,250.65	1,393.10
Dummy Trim				
819117	Moorestown Escutcheon Large Lever Set - Single Dummy	362.32	412.80	466.00
819118	Moorestown Escutcheon Large Lever Set - Pair of Dummies	720.76	821.74	928.13

Prices are based upon a standard 1.75 inch door thickness and 2.5 inch backset lock. Other backsets and accommodations for alternate door thicknesses are available at extra cost. Please check with customer service.



All Prices in US Dollars - Prices Subject to Change Without Notice
Please Check with Customer Service for Up to Date Pricing.

Moorestown Escutcheon Sets with Moorestown Oval Knob

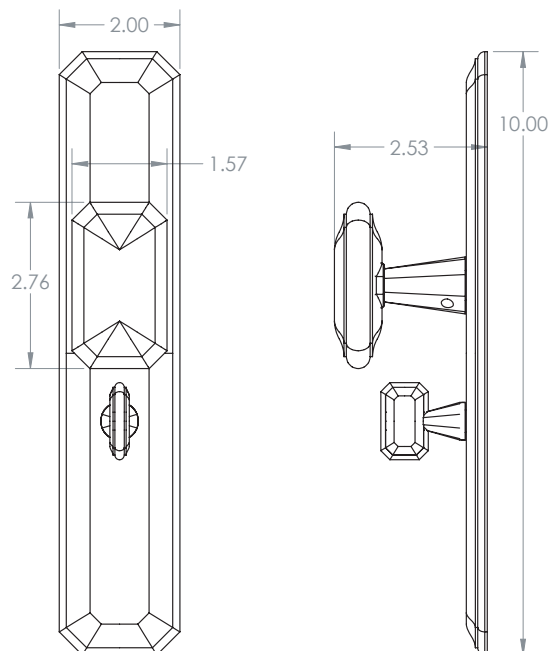
Entry Mortise		Standard	Distressed	ETERNA
CS03184	Moorestown Escutcheon Oval Knob Set -Entry Mortise Set	1472.42	1576.51	1729.69
CS03185	Moorestown Escutcheon Oval Knob Set -Entry Mortise Dummy	712.36	792.12	877.04
IML Mortise Sets				
CS03186	Moorestown Escutcheon Oval Knob Set - IML Passage	882.77	960.85	1066.37
CS03187	Moorestown Escutcheon Oval Knob Set - IML Privacy	1099.15	1,188.82	1305.94
CS03188	Moorestown Escutcheon Oval Knob Set - IML Bit Key	1004.48	1,083.21	1195.17
CS03189	Moorestown Escutcheon Oval Knob Set- IML Single	1160.01	1,255.80	1383.22
CS03190	Moorestown Escutcheon Oval Knob Set - IML Double	1089.68	1,175.95	1298.21
CS03191	Moorestown Escutcheon Oval Knob Set - IML Patio Set	1074.81	1,164.35	1280.18
Tubular Latch Sets				
CS03192	Moorestown Escutcheon Oval Knob Set - TL Passage, 2-3/4 BS	713.72	797.27	892.49
CS03193	Moorestown Escutcheon Oval Knob Set - TL Passage, 2-3/8 BS	713.72	797.27	892.49
CS03194	Moorestown Escutcheon Oval Knob Set - TL Privacy, 2-3/4 BS	773.22	856.52	950.45
CS03195	Moorestown Escutcheon Oval Knob Set - TL Privacy, 2-3/8 BS	773.22	856.52	950.45
CS03196	Moorestown Escutcheon Oval Knob Set - Privacy (Passage TL with Mortise Bolt 2-3/8 BS)	947.68	1,061.31	197.75
Dummy Trim				
CS03197	Moorestown Escutcheon Oval Knob Set - Single Dummy	332.51	369.66	409.54
CS03198	Moorestown Escutcheon Oval Knob Set- Pair of Dummies	660.98	735.62	815.21

Moorestown Oval Knob Escutcheon Sets



Moorestown Trim with
Moorestown Oval Knob KNB-1037

- Traditional Octagonal Design
- Forged Brass Escutcheon Inside and Outside
- Solid Forged Brass Knob/Lever
- Hand Polished
- Plates available with Cuts for all Von Morris Locks as well as Custom Cuts for other Manufacturers' Locks
- Specify door thickness when ordering
- All IML Privacy and Tubular Mortise Bolt Privacy Sets come with ER Trim Standard on the Exterior. Exterior Bit Key Trim can be substituted for no additional charge.



Lever High

Moorestown Lever Escutcheon Sets

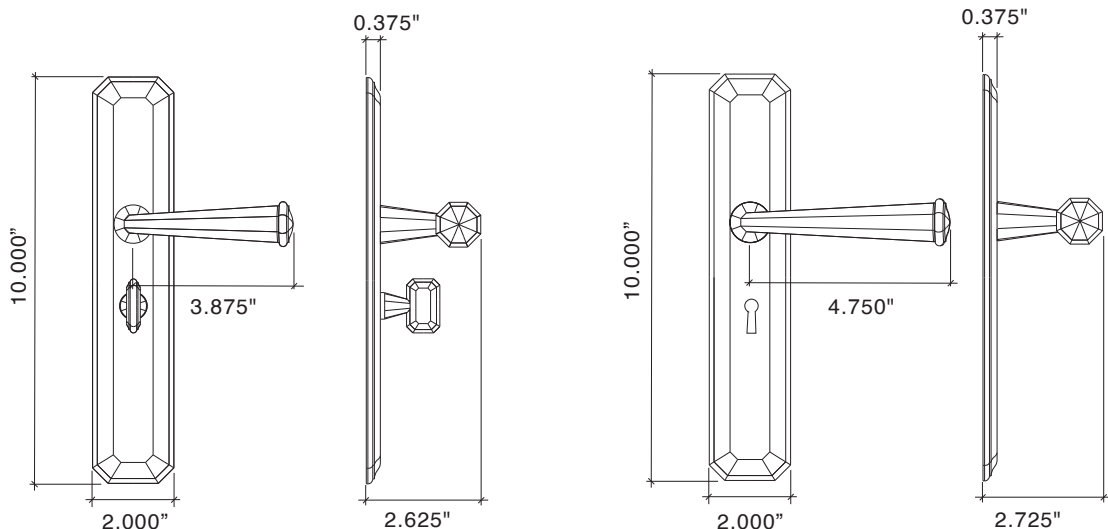


Prices are based upon a standard 1.75 inch door thickness and 2.5 inch backset lock. Other backsets and accommodations for alternate door thicknesses are available at extra cost. Please check with customer service.

- Traditional Octagonal Design
- Forged Brass Escutcheon Inside and Outside
- Solid Forged Brass Knob/Lever
- Hand Polished
- Plates available with Cuts for all Von Morris Locks as well as Custom Cuts for other Manufacturers' Locks
- Specify door thickness when ordering
- All IML Privacy and Tubular Mortise Bolt Privacy Sets come with ER Trim Standard on the Exterior. Exterior Bit Key Trim can be substituted for no additional charge.

Moorestown Trim with Small Moorestown Lever 8834

Moorestown Trim with Large Moorestown Lever 8833





Small Moorestown Knob with Small Moorestown Rose

Entry Mortise		Standard	Distressed	ETERNA
90817/58172	Small Moorestown Knob with Small Rose - Entry Mortise	1147.27	1274.00	1394.81
IML Mortise Sets				
0817/58171	Small Moorestown with Small Rose - IML Passage	529.03	602.96	1023.87
0817/58172	Small Moorestown with Small Rose - IML Privacy	833.00	935.26	914.17
0817/58173	Small Moorestown with Small Rose - IML Bit Key	773.75	877.30	959.47
0817/58174	Small Moorestown with Small Rose - IML Single	901.27	1013.83	1115.32
0817/58175	Small Moorestown with Small Rose - IML Double	875.51	993.22	1090.84
Tubular Latch Sets				
081811	Small Moorestown with Small Rose - TL Passage, 2-3/4 BS	368.03	439.38	489.35
081812	Small Moorestown with Small Rose - TL Passage, 2-3/8 BS	368.03	439.38	489.35
081815	Small Moorestown with Small Rose - Privacy (Passage TL with Mortise Bolt 2-3/8 BS)	688.75	807.75	0.00 915.68
Dummy Trim				
0817/58177	Small Moorestown with Small Rose - Single Dummy	167.27	197.16	214.41
0817/58178	Small Moorestown with Small Rose - Pair of Dummies	324.24	384.00	418.51

Prices are based upon a standard 1.75 inch door thickness and 2.5 inch backset lock. Other backsets and accommodations for alternate door thicknesses are available at extra cost. Please check with customer service.

All IML Privacy and Tubular Mortise Bolt Privacy Sets come with ER Trim Standard on the Exterior. Exterior Bit Key Trim can be substituted for no additional charge.



Large Moorestown Knob with Small Moorestown Rose

Entry Mortise		Standard	Distressed	ETERNA
90827/58172	Large Moorestown with Large Rose - Entry Mortise	1251.29	1351.11	1496.35
IML Mortise Sets				0.00
0827/58171	Large Moorestown Knob with Small Rose - IML Passage	633.05	680.06	765.33
0827/58172	Large Moorestown Knob with Small Rose - IML Privacy	937.02	1012.37	1125.97
0827/58173	Large Moorestown Knob with Small Rose - IML Bit Key	877.77	954.41	1061.57
0827/58174	Large Moorestown Knob with Small Rose - IML Single	1005.28	1132.34	1217.41
0827/58175	Large Moorestown Knob with Small Rose - IML Double	979.52	1070.33	1192.94
Tubular Latch Sets				0.00
082811	Lg Moorestown Knob with Sm Rose - TL Passage, 2-3/4 BS	472.05	516.49	591.45
082812	Lg Moorestown Knob with Sm Rose - TL Passage, 2-3/8 BS	472.05	516.49	591.45
082815	Lg Moorestown Knob with Sm Rose - Privacy (Passage TL with Mortise Bolt 2-3/8 BS)	792.76	884.86	0.00 1017.77
Dummy Trim				0.00
0827/58177	Lg Moorestown Knob with Sm Rose - Single Dummy	219.28	235.70	265.45
0827/58178	Lg Moorestown Knob with Sm Rose - Pair of Dummies	428.26	461.10	520.61

All Prices in US Dollars - Prices Subject to Change Without Notice
Please Check with Customer Service for Up to Date Pricing.

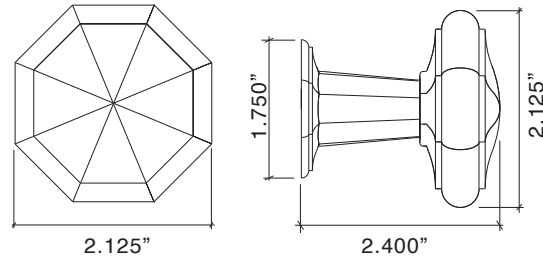
Moorestown Knob on Small Rose

Small Moorestown Knob with Small Moorestown Rose



Small Moorestown Knob 8808-175
Small Moorestown Rose 8858-175

- Traditional Octagonal Design
- Solid Forged Brass Knob and Rose
- Hand Polished
- Fully Concealed Mounting
- All Von Morris Knobs can be used with any Rose or Escutcheon Plate
- All IML Privacy and Tubular Mortise Bolt Privacy Sets come with ER Trim Standard on the Exterior. Exterior Bit Key Trim can be substituted for no additional charge.

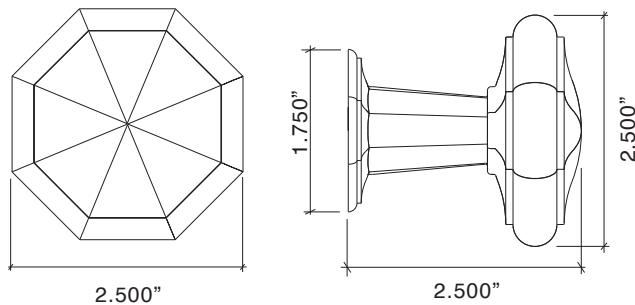


Large Moorestown Knob with Small Moorestown Rose



Large Moorestown Knob 8808-275
Small Moorestown Rose 8858-175

- Traditional Octagonal Design
- Solid Forged Brass Knob and Rose
- Hand Polished
- Fully Concealed Mounting
- All Von Morris Knobs can be used with any Rose or Escutcheon Plate
- All IML Privacy and Tubular Mortise Bolt Privacy Sets come with ER Trim Standard on the Exterior. Exterior Bit Key Trim can be substituted for no additional charge.





MOORESTOWN



Small Moorestown Knob with Large Moorestown Rose

Entry Mortise		Standard	Distressed	ETERNA
90817/58262	Small Moorestown Knob with Large Rose - Entry Mortise	1,169.17	1,283.02	1,403.83
IML Mortise Sets				
0817/58261	Small Moorestown with Large Rose - IML Passage	550.93	611.97	672.24
0817/58262	Small Moorestown with Large Rose - IML Privacy	853.61	942.00	1,032.88
0817/58263	Small Moorestown with Large Rose - IML Bit Key	853.61	942.00	1,032.88
0817/58264	Small Moorestown with Large Rose - IML Single	923.16	1,022.84	1,124.33
0817/58265	Small Moorestown with Large Rose - IML Double	897.40	1,002.24	1,099.86
Tubular Latch Sets				
081821	Small Moorestown with Large Rose - TL Passage, 2-3/4 BS	416.98	475.10	525.41
081822	Small Moorestown with Large Rose - TL Passage, 2-3/8 BS	416.98	475.10	525.41
081823	Small Moorestown with Large Rose - TL Privacy, 2-3/4 BS	452.63	511.51	557.61
081824	Small Moorestown with Large Rose - TL Privacy, 2-3/8 BS	452.63	511.51	557.61
081825	Small Moorestown with Large Rose - Privacy (Passage TL with Mortise Bolt 2-3/8 BS)	736.40	842.52	951.74
Dummy Trim				
0817/58267	Small Moorestown with Large Rose - Single Dummy	178.22	201.66	218.91
0817/58268	Small Moorestown with Large Rose - Pair of Dummies	346.14	393.01	427.52

Prices are based upon a standard 1.75 inch door thickness and 2.5 inch backset lock. Other backsets and accommodations for alternate door thicknesses are available at extra cost. Please check with customer service.

All IML Privacy and Tubular Mortise Bolt Privacy Sets come with ER Trim Standard on the Exterior. Exterior Bit Key Trim can be substituted for no additional charge.



Large Moorestown Knob with Large Moorestown Rose

Entry Mortise		Standard	Distressed	ETERNA
90827/58262	Large Moorestown with Large Rose - Entry Mortise	1,273.19	1,360.13	1,505.93
IML Mortise Sets				
0827/58261	Large Moorestown Knob with Large Rose - IML Passage	654.95	689.08	774.34
0827/58262	Large Moorestown Knob with Large Rose - IML Privacy	957.63	1,020.10	1,134.98
0827/58263	Large Moorestown Knob with Large Rose - IML Bit Key	897.09	960.85	1,070.58
0827/58264	Large Moorestown Knob with Large Rose - IML Single	1,027.18	1,099.95	1,226.43
0827/58265	Large Moorestown Knob with Large Rose - IML Double	1,001.42	1,079.34	1,201.96
Tubular Latch Sets				
082821	Lg Moorestown Knob with Lg Rose - TL Passage, 2-3/4 BS	521.00	552.55	627.51
082822	Lg Moorestown Knob with Lg Rose - TL Passage, 2-3/8 BS	521.00	552.55	627.51
082823	Lg Moorestown Knob with Lg Rose - TL Privacy, 2-3/4 BS	557.06	588.62	659.71
082824	Lg Moorestown Knob with Lg Rose - TL Privacy, 2-3/8 BS	557.06	588.62	659.71
082825	Lg Moorestown Knob with Lg Rose - Privacy (Passage TL with Mortise Bolt 2-3/8 BS)	840.42	919.63	1,053.84
Dummy Trim				
0827/58267	Lg Moorestown Knob with Lg Rose - Single Dummy	230.23	240.21	269.96
0827/58268	Lg Moorestown Knob with Lg Rose - Pair of Dummies	450.16	470.12	529.62

All Prices in US Dollars - Prices Subject to Change Without Notice
Please Check with Customer Service for Up to Date Pricing.

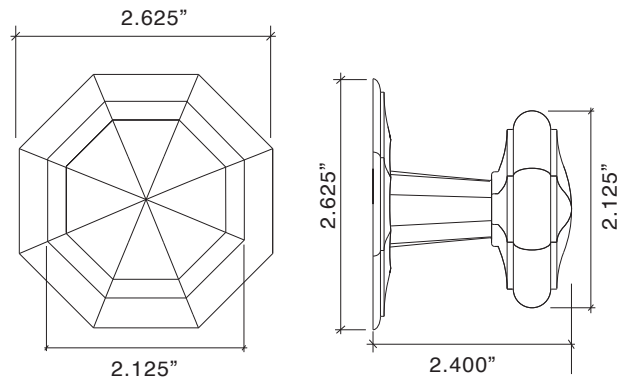
Moorestown Knob on Large Rose

Small Moorestown Knob with Large Moorestown Rose



Small Moorestown Knob 8808-175
Large Moorestown Rose 8858-262

- Traditional Octagonal Design
- Solid Forged Brass Knob and Rose
- Hand Polished
- Fully Concealed Mounting
- All Von Morris Knobs can be used with any Rose or Escutcheon Plate
- All IML Privacy and Tubular Mortise Bolt Privacy Sets come with ER Trim Standard on the Exterior. Exterior Bit Key Trim can be substituted for no additional charge.

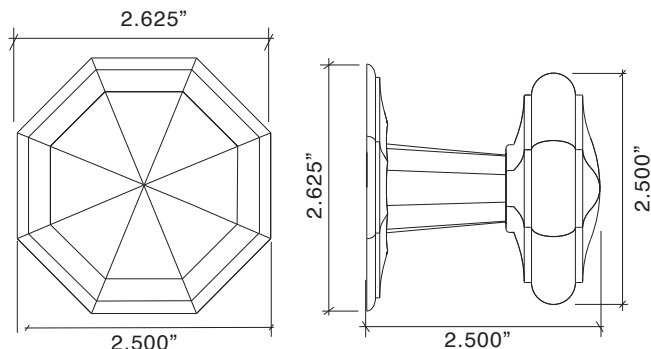


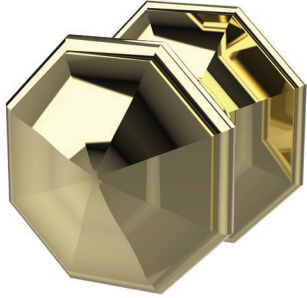
Large Moorestown Knob with Large Moorestown Rose



Large Moorestown Knob 8808-275
Large Moorestown Rose 8858-262

- Traditional Octagonal Design
- Solid Forged Brass Knob and Rose
- Hand Polished
- Fully Concealed Mounting
- All Von Morris Knobs can be used with any Rose or Escutcheon Plate
- All IML Privacy and Tubular Mortise Bolt Privacy Sets come with ER Trim Standard on the Exterior. Exterior Bit Key Trim can be substituted for no additional charge.



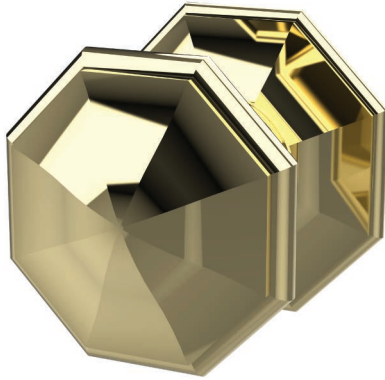


Moorestown Center Knob

		Standard	Distressed	ETERNA
ACC-183	Moorestown Center Knob 4"	1,245.00	1,495.00	1,867.00
ACC-184	Moorestown Center Knob 5"	1,445.00	1,735.00	2,170.00

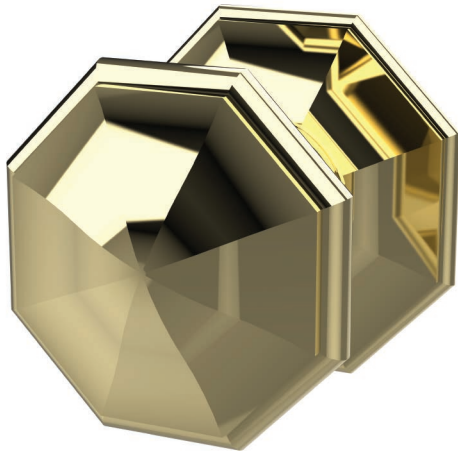
All Prices in US Dollars - Prices Subject to Change Without Notice
Please Check with Customer Service for Up to Date Pricing.

Moorestown Center Knob



- Traditional Octagonal Design
- Solid Forged Brass
- Hand Polished
- Fully Concealed Mounting
- Single Dummy or Back to Back Mounting Available

4" Center Knob ACC-183



5" Center Knob ACC-184



Moorestown Oval Knob with Small Moorestown Rose

Entry Mortise		Standard	Distressed	ETERNA
CS03160	Moorestown Oval Knob with Small Rose - Entry Mortise	1147.27	1274.00	1394.81
IML Mortise Sets				
CS03161	Moorestown Oval Knob with Small Rose - IML Passage	529.03	602.96	1023.87
CS03162	Moorestown Oval Knob with Small Rose - IML Privacy	833.00	935.26	914.17
CS03163	Moorestown Oval Knob Small Rose - IML Bit Key	773.75	877.30	959.47
CS03164	Moorestown Oval Knob Small Rose - IML Single	901.27	1013.83	1115.32
CS03165	Moorestown Oval Knob with Small Rose - IML Double	875.51	993.22	1090.84
Tubular Latch Sets				
CS03166	Moorestown Oval Knob with Small Rose - TL Passage, 2-3/4 BS	368.03	439.38	489.35
CS03167	Moorestown Oval Knob with Small Rose - TL Passage, 2-3/8 BS	368.03	439.38	489.35
CS03168	Moorestown Oval Knob with Small Rose - Privacy (Passage TL with Mortise Bolt 2-3/8 BS)	688.75	807.75	915.68
Dummy Trim				
CS03169	Moorestown Oval Knob with Small Rose - Single Dummy	167.27	197.16	214.41
CS03170	Moorestown with Small Rose - Pair of Dummies	324.24	384.00	418.51

Prices are based upon a standard 1.75 inch door thickness and 2.5 inch backset lock. Other backsets and accommodations for alternate door thicknesses are available at extra cost. Please check with customer service.



Moorestown Oval Knob with Large Moorestown Rose

Entry Mortise		Standard	Distressed	ETERNA
CS03171	Moorestown Oval Knob with Large Rose - Entry Mortise	1,169.17	1,283.02	1,403.83
IML Mortise Sets				
CS03172	Moorestown Oval Knob with Large Rose - IML Passage	550.93	611.97	672.24
CS03173	Moorestown Oval Knob with Large Rose - IML Privacy	853.61	942.00	1,032.88
CS03174	Moorestown Oval Knob with Large Rose - IML Bit Key	853.61	942.00	1,032.88
CS03175	Moorestown Oval Knob with Large Rose - IML Single	923.16	1,022.84	1,124.33
CS03176	Moorestown Oval Knob with Large Rose - IML Double	897.40	1,002.24	1,099.86
Tubular Latch Sets				
CS03177	Moorestown Oval Knob with Large Rose - TL Passage, 2-3/4 BS	416.98	475.10	525.41
CS03178	Moorestown Oval Knob with Large Rose - TL Passage, 2-3/8 BS	416.98	475.10	525.41
CS03179	Moorestown Oval Knob with Large Rose - TL Privacy, 2-3/4 BS	452.63	511.51	557.61
CS03180	Moorestown Oval Knob with Large Rose - TL Privacy, 2-3/8 BS	452.63	511.51	557.61
CS03181	Moorestown Oval Knob with Large Rose - Privacy (Passage TL with Mortise Bolt 2-3/8 BS)	736.40	842.52	951.74
Dummy Trim				
CS03182	Moorestown Oval Knob with Large Rose - Single Dummy	178.22	201.66	218.91
CS03183	Moorestown Oval Knob with Large Rose - Pair of Dummies	346.14	393.01	427.52

Prices are based upon a standard 1.75 inch door thickness and 2.5 inch backset lock. Other backsets and accommodations for alternate door thicknesses are available at extra cost. Please check with customer service.

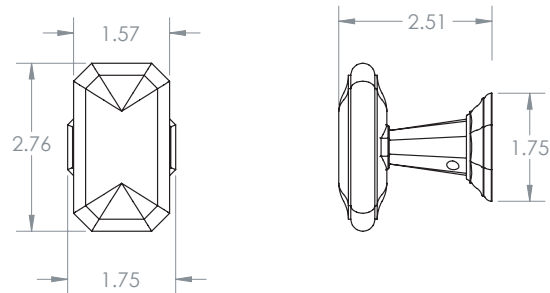
Moorestown Oval Knob on Rose

Moorestown Oval Knob with Small Moorestown Rose



- Traditional Octagonal Design
- Solid Forged Brass Knob and Rose
- Hand Polished
- Fully Concealed Mounting
- All Von Morris Knobs can be used with any Rose or Escutcheon Plate
- All IML Privacy and Tubular Mortise Bolt Privacy Sets come with ER Trim Standard on the Exterior. Exterior Bit Key Trim can be substituted for no additional charge.

Moorestown Oval Knob KNB-1037
Small Moorestown Rose 8858-175

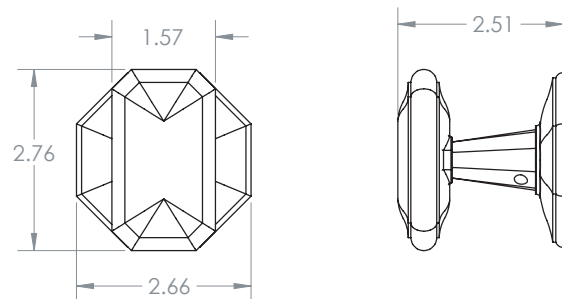


Moorestown Oval Knob with Large Moorestown Rose



- Traditional Octagonal Design
- Solid Forged Brass Knob and Rose
- Hand Polished
- Fully Concealed Mounting
- All Von Morris Knobs can be used with any Rose or Escutcheon Plate
- All IML Privacy and Tubular Mortise Bolt Privacy Sets come with ER Trim Standard on the Exterior. Exterior Bit Key Trim can be substituted for no additional charge.

Moorestown Oval Knob KNB-1037
Large Moorestown Rose 8858-262





Small Moorestown Lever with Small Moorestown Rose

Entry Mortise		Standard	Distressed	ETERNA
98834/58172	Small Moorestown Lever with Small Rose - Entry Mortise	1,175.94	1,286.66	1,408.88
IML Mortise Sets				
8834/58171	Small Moorestown Lever with Small Rose - IML Passage	557.70	615.61	677.29
8834/58172	Small Moorestown Lever with Small Rose - IML Privacy	861.67	947.92	1,037.93
8834/58173	Small Moorestown Lever with Small Rose - IML Bit Key	802.42	889.96	973.53
8834/58174	Small Moorestown Lever with Small Rose - IML Single	929.94	1,026.48	1,129.38
8834/58175	Small Moorestown Lever with Small Rose - IML Double	904.18	1,005.88	1,104.91
Tubular Latch Sets				
340811	Small Moorestown Lever with Small Rose - TL Passage, 2-3/4 BS	396.70	452.04	503.41
340812	Small Moorestown Lever with Small Rose - TL Passage, 2-3/8 BS	396.70	452.04	503.41
340815	Small Moorestown Lever with Small Rose - Privacy (Passage TL with Mortise Bolt 2-3/8 BS)	717.42	820.40	929.74
Dummy Trim				
8834/58177	Small Moorestown Lever with Small Rose - Single Dummy	181.61	203.48	221.43
8834/58178	Small Moorestown Lever with Small Rose - Pair of Dummies	352.91	396.65	432.57

Prices are based upon a standard 1.75 inch door thickness and 2.5 inch backset lock. Other backsets and accommodations for alternate door thicknesses are available at extra cost. Please check with customer service.

All IML Privacy and Tubular Mortise Bolt Privacy Sets come with ER Trim Standard on the Exterior. Exterior Bit Key Trim can be substituted for no additional charge.



Large Moorestown Lever with Small Moorestown Rose

Entry Mortise		Standard	Distressed	ETERNA
98833/58172	Large Moorestown Lever with Small Rose - Entry Mortise	1,238.54	1,360.13	1,507.73
IML Mortise Sets				
8833/58171	Large Moorestown Lever with Small Rose - IML Passage	620.30	689.08	776.15
8833/58172	Large Moorestown Lever with Small Rose - IML Privacy	924.27	1,021.38	1,136.79
8833/58173	Large Moorestown Lever with Small Rose - IML Bit Key	865.02	963.42	1,072.39
8833/58174	Large Moorestown Lever with Small Rose - IML Single	992.53	1,099.95	1,228.24
8833/58175	Large Moorestown Lever with Small Rose - IML Double	966.77	1,079.34	1,203.76
Dummy Trim				
8833/58177	Lg Moorestown Lever with Sm Rose - Single Dummy	212.91	240.21	270.87
8833/58178	Lg Moorestown Lever with Sm Rose - Pair of Dummies	415.51	470.12	531.43

All Prices in US Dollars - Prices Subject to Change Without Notice
Please Check with Customer Service for Up to Date Pricing.

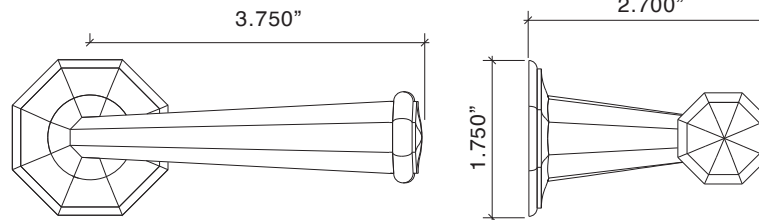
Moorestown Lever on Small Rose

Small Moorestown Lever with Small Moorestown Rose



Small Moorestown Lever 8834
Small Moorestown Rose 8858-175

- Traditional Octagonal Design
- Solid Forged Brass Lever and Rose
- Hand Polished
- Fully Concealed Mounting
- All Von Morris Knobs can be used with any Rose or Escutcheon Plate
- All IML Privacy and Tubular Mortise Bolt Privacy Sets come with ER Trim Standard on the Exterior. Exterior Bit Key Trim can be substituted for no additional charge.

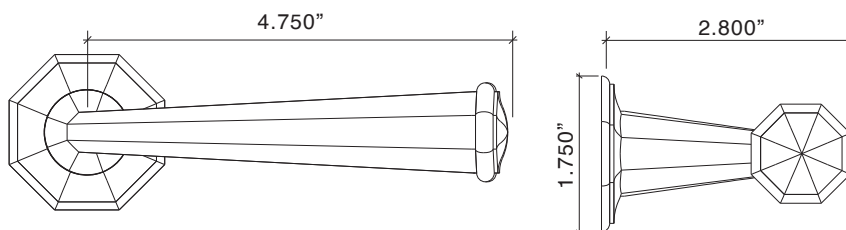


Large Moorestown Lever with Small Moorestown Rose



Large Moorestown Lever 8833
Small Moorestown Rose 8858-175

- Traditional Octagonal Design
- Solid Forged Brass Lever and Rose
- Hand Polished
- Fully Concealed Mounting
- All Von Morris Knobs can be used with any Rose or Escutcheon Plate
- All IML Privacy and Tubular Mortise Bolt Privacy Sets come with ER Trim Standard on the Exterior. Exterior Bit Key Trim can be substituted for no additional charge.





Small Moorestown Lever with Large Moorestown Rose

Entry Mortise		Standard	Distressed	ETERNA
98834/58262	Small Moorestown Lever with Large Rose - Entry Mortise	1,197.84	1,295.68	1,417.89
IML Mortise Sets		-		
8834/58261	Small Moorestown Lever with Large Rose - IML Passage	579.60	624.63	686.31
8834/58262	Small Moorestown Lever with Large Rose - IML Privacy	882.28	955.64	1,046.95
8834/58263	Small Moorestown Lever with Large Rose - IML Bit Key	821.74	896.40	982.55
8834/58264	Small Moorestown Lever with Large Rose - IML Single	951.83	1,035.50	1,138.40
8834/58265	Small Moorestown Lever with Large Rose - IML Double	926.07	1,014.89	1,113.93
Tubular Latch Sets		-		
340821	Small Moorestown Lever with Large Rose - TL Passage, 2-3/4 BS	445.65	488.10	539.48
340822	Small Moorestown Lever with Large Rose - TL Passage, 2-3/8 BS	445.65	488.10	539.48
340823	Small Moorestown Lever with Large Rose - TL Privacy, 2-3/4 BS	481.71	524.15	571.68
340824	Small Moorestown Lever with Large Rose - TL Privacy, 2-3/8 BS	481.71	524.15	571.68
340825	Small Moorestown Lever with Large Rose - Privacy (Passage TL with Mortise Bolt 2-3/8 BS)	- 765.07	855.18	965.81
Dummy Trim		-		
8834/58267	Small Moorestown Lever with Large Rose - Single Dummy	192.56	207.99	225.94
8834/58267	Small Moorestown Lever with Large Rose - Pair of Dummies	374.81	405.67	441.59

Prices are based upon a standard 1.75 inch door thickness and 2.5 inch backset lock. Other backsets and accommodations for alternate door thicknesses are available at extra cost. Please check with customer service.

All IML Privacy and Tubular Mortise Bolt Privacy Sets come with ER Trim Standard on the Exterior. Exterior Bit Key Trim can be substituted for no additional charge.



Large Moorestown Lever with Large Moorestown Rose

Entry Mortise		Standard	Distressed	ETERNA
98833/58262	Large Moorestown Lever with Large Rose - Entry Mortise	1,411.65	1,533.44	1,698.76
IML Mortise Sets				
8833/58261	Large Moorestown Lever with Large Rose - IML Passage	719.26	781.87	879.38
8833/58262	Large Moorestown Lever with Large Rose - IML Privacy	1,058.26	1,152.61	1,283.30
8833/58263	Large Moorestown Lever with Large Rose - IML Bit Key	990.46	1,086.25	1,211.17
8833/58264	Large Moorestown Lever with Large Rose - IML Single	1,136.16	1,242.04	1,385.72
8833/58265	Large Moorestown Lever with Large Rose - IML Double	1,107.31	1,218.96	1,358.31
Dummy Trim				
8833/58267	Large Moorestown Lever with Large Rose - Single Dummy	250.72	274.09	308.66
8833/58268	Large Moorestown Lever with Large Rose - Pair of Dummies	489.89	536.63	605.30

All Prices in US Dollars - Prices Subject to Change Without Notice
Please Check with Customer Service for Up to Date Pricing.

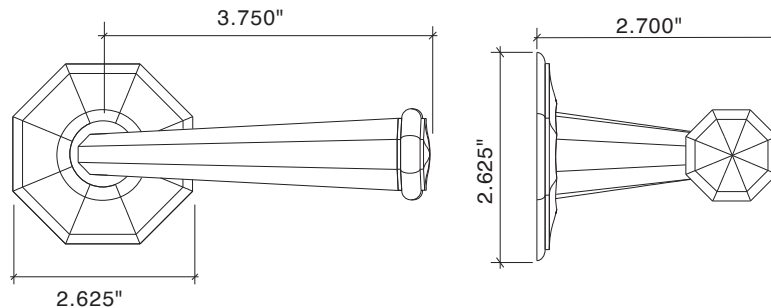
Moorestown Lever on Large Rose

Small Moorestown Lever with Large Moorestown Rose



Small Moorestown Lever 8834
Large Moorestown Rose 8858-262

- Traditional Octagonal Design
- Solid Forged Brass Lever and Rose
- Hand Polished
- Fully Concealed Mounting
- All Von Morris Knobs can be used with any Rose or Escutcheon Plate
- All IML Privacy and Tubular Mortise Bolt Privacy Sets come with ER Trim Standard on the Exterior. Exterior Bit Key Trim can be substituted for no additional charge.

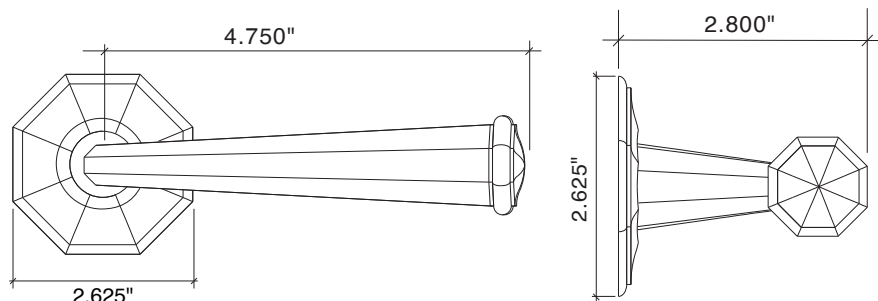


Large Moorestown Lever with Large Moorestown Rose



Large Moorestown Lever 8833
Large Moorestown Rose 8858-262

- Traditional Octagonal Design
- Solid Forged Brass Lever and Rose
- Hand Polished
- Fully Concealed Mounting
- All Von Morris Knobs can be used with any Rose or Escutcheon Plate
- All IML Privacy and Tubular Mortise Bolt Privacy Sets come with ER Trim Standard on the Exterior. Exterior Bit Key Trim can be substituted for no additional charge.





Moorestown Olive Knuckle - Ball Bearing - Standard Weight Hinges

<i>Hinges are Handed and Priced as Eaches</i>		Standard	Distressed	ETERNA
20-5032	5.0" x 3.2" Olive Knuckle Hinge	238.14	288.95	309.58
20-6038	6.0" x 3.8" Olive Knuckle Hinge	254.03	311.17	333.41

Moorestown Olive Knuckle - Ball Bearing - Standard Weight Hinges

Hinge Body: Hinge body is manufactured of solid forged brass.

Ball Bearings: Each hinge is equipped with one precision machined anti-friction ball bearing assembly. The two races are machined from 300 series Stainless Steel. The balls are Stainless Steel as well. The bearing shell is machined from brass of the same alloy as the hinge body to ensure an accurate color match. The construction results in an extremely durable, long life ball bearing which is able to withstand years of hard use and corrosive environments. This bearing greatly increases both the lateral and vertical load bearing capability of the hinge and therefore increases hinge life.

Finish: Hinges are individually hand polished assuring an even finish with no unpolished areas. Von Morris Olive Knuckle hinges are available in over 30 standard finishes. Custom finishing is available. Please refer to the Price List.

Pins: Pins are machined from 300 Stainless Steel for high durability and resistance to rust. They are permanently installed in one half of the hinge. The exposed end is rounded to facilitate re-assembly.

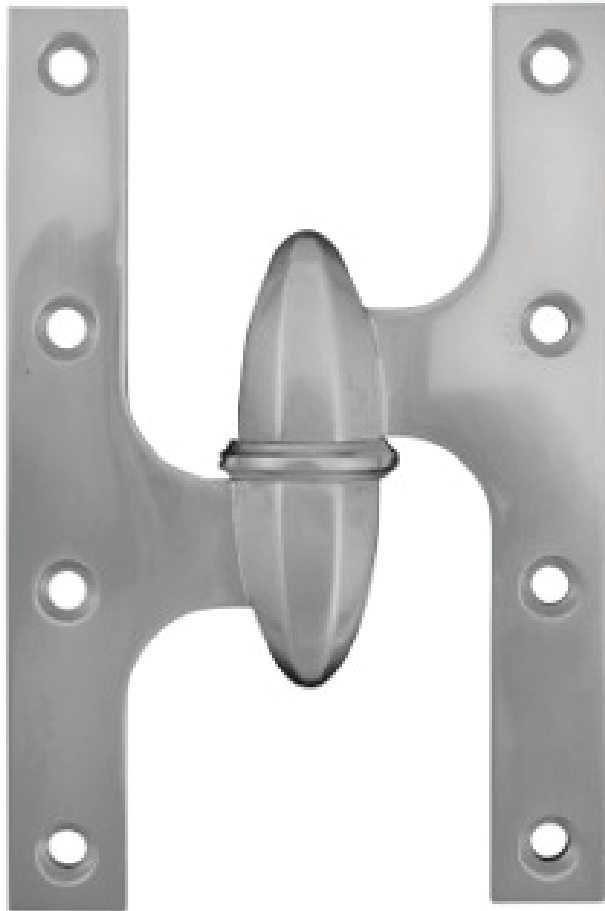
Fasteners: All hinges are provided with type "A" tapping screws. These are solid brass, flat head, counter sunk, undercut phillips head screws. Screws are bagged eight per bag.

Number of Hinges: For doors up to 89 inches, use three hinges. For each additional 30 inches or fraction thereof, use one additional hinge.

Packing: Two hinges per box with screws. Each hinge is poly bagged to prevent scratching. Hinges are packed 15 boxes per master carton.

Handing and Specifying : These hinges are handed. Please be sure to specify hand of hinges when ordering. Olive Knuckle Hinges are priced and sold as eaches.

Moorestown Olive Knuckle - Ball Bearing - Standard Weight - Solid Forged Brass



20-5032
20-6038

Part Number	Length of Joint	Width Open	Gauge of Metal	Screw Size	Screws Hinge	Packing per Box	Weight per Box	Knuckle Size
20-5032	5.0"	3.250"	0.169"	12 x 1.25"	8	2 pcs	1.6 lbs	2.60"H x 0.93"D
20-6038	6.0"	3.875"	0.203"	12 x 1.25"	8	2 pcs	2.0 lbs	2.60"H x 0.93"D

- Solid Forged Brass
- **Olive Knuckle Hinges are priced and sold as eaches.**
- Equipped with one precision machined, anti-friction bearing assembly per hinge.
- Ball bearings are machined from 300 series Stainless Steel and employ Stainless Steel balls.
- All pins are precision machined from 300 series Stainless Steel.
- **All Olive Knuckle Hinges are handed.** Be sure to specify hand of hinge when ordering.
- Custom open widths available upon request.
- Minimum door thickness 2.25".
- Installation: Centered on edge of door; knuckle 1/4" off face of door.



Moorestown Olive Knuckle - Ball Bearing - Heavy Weight Hinges

<i>Hinges are Handed and Priced as Eaches</i>		Standard	Distressed	ETERNA
20-6040	6.0" x 4.0" Olive Knuckle Hinge	285.77	355.62	373.10
20-6045	6.0" x 4.5" Olive Knuckle Hinge	301.64	377.85	396.90
20-6050	6.0" x 5.0" Olive Knuckle Hinge	317.31	400.08	420.71

Moorestown Olive Knuckle - Ball Bearing - Heavy Weight Hinges

Hinge Body: Hinge body is manufactured of solid brass.

Ball Bearings: Each hinge is equipped with one precision machined anti-friction ball bearing assembly. The two races are machined from 300 series Stainless Steel. The balls are Stainless Steel as well. The bearing shell is machined from brass of the same alloy as the hinge body to ensure an accurate color match. The construction results in an extremely durable, long life ball bearing which is able to withstand years of hard use and corrosive environments. This bearing greatly increases both the lateral and vertical load bearing capability of the hinge and therefore increases hinge life.

Finish: Hinges are individually hand polished assuring an even finish with no unpolished areas. Von Morris Olive Knuckle hinges are available in over 30 standard finishes. Custom finishing is available. Please refer to the Price List.

Pins: Pins are machined from 300 Stainless Steel for high durability and resistance to rust. They are permanently installed in one half of the hinge. The exposed end is rounded to facilitate re-assembly.

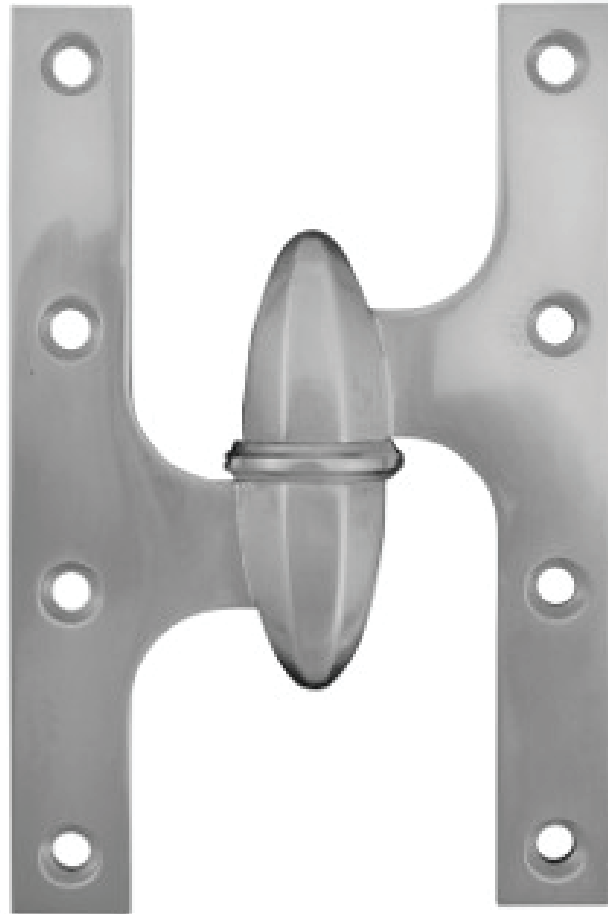
Fasteners: All hinges are provided with type "A" tapping screws. These are solid brass, flat head, counter sunk, undercut phillips head screws. Screws are bagged eight per bag.

Number of Hinges: For doors up to 89 inches, use three hinges. For each additional 30 inches or fraction thereof, use one additional hinge.

Packing: Two hinges per box with screws. Each hinge is poly bagged to prevent scratching. Hinges are packed 15 boxes per master carton.

Handing and Specifying: These hinges are handed. Please be sure to specify hand of hinges when ordering. Olive Knuckle Hinges are priced and sold as eaches.

Moorestown Olive Knuckle - Ball Bearing - Heavy Weight - Solid Brass



20-6040
20-6045
20-6050

Part Number	Length of Joint	Width Open	Gauge of Metal	Screw Size	Screws Hinge	Packing per Box	Weight per Box	Knuckle Size
20-6040	6.0"	4.0"	0.255"	12 x 1.25"	8	2 pcs	1.2 lbs	2.60"H x 0.93"D
20-6045	6.0"	4.5"	0.255"	12 x 1.25"	8	2 pcs	1.3 lbs	2.60"H x 0.93"D
20-6050	6.0"	5.0"	0.255"	12 x 1.25"	8	2 pcs	1.4 lbs	2.60"H x 0.93"D

- Solid Brass
- **Olive Knuckle Hinges are priced and sold as eaches.**
- Equipped with one precision machined, anti-friction bearing assembly per hinge.
- Ball bearings are machined from 300 series Stainless Steel and employ Stainless Steel balls.
- All pins are precision machined from 300 series Stainless Steel.
- **All Olive Knuckle Hinges are handed.** Be sure to specify hand of hinge when ordering.
- Custom open widths available upon request.
- Minimum door thickness 2.25".
- Installation: Centered on edge of door; knuckle 1/4" off face of door.



Moorestown - Olive Knuckle - Cabinet Hinge

<i>Hinges are Handed and Priced as Eaches</i>		Standard	Distressed	ETERNA
20-2015	2.0" x 1.5" Olive Knuckle Cabinet Hinge	80.85	97.02	111.72
20-2520	2.5" x 2.0" Olive Knuckle Cabinet Hinge	97.02	121.28	130.83
20-3025	3.0" x 2.5" Olive Knuckle Cabinet Hinge	145.53	194.08	205.80

Solid Forged Brass - Olive Knuckle - Cabinet Hinge

Hinge Body: Hinge body is manufactured of solid brass.

Ball Bearings: Hinges so equipped have one precision machined anti-friction ball bearing assembly. The two races are machined from 300 series Stainless Steel. The balls are Stainless Steel as well. The bearing shell is machined from brass of the same alloy as the hinge body to ensure an accurate color match. The construction results in an extremely durable, long life ball bearing which is able to withstand years of hard use and corrosive environments. These bearings greatly increase both the lateral and vertical load bearing capability of the hinge and therefore increase hinge life.

Finish: Hinges are individually hand polished assuring an even finish with no unpolished areas. Von Morris Olive Knuckle hinges are available in over 30 standard finishes. Custom finishing is available upon request.

Pins: Pins are machined from 300 Stainless Steel for high durability and resistance to rust. They are permanently installed in one half of the hinge. The exposed end is rounded to facilitate re-assembly.

Fasteners: All hinges are provided with type "A" tapping screws. These are solid brass, flat head, counter sunk, undercut phillips head screws. All screws are lacquered to prevent tarnishing. Screws are bagged six per bag.

Packing: Five hinges per box with screws. Each hinge is poly bagged to prevent scratching.

Handing and Specifying: These hinges are handed. Please be sure to specify hand of hinges when ordering. Olive Knuckle Hinges are priced and sold as eaches.

Moorestown Olive Knuckle - Ball Bearing Solid Forged Brass - Cabinet Hinge



20-2015
20-2520
20-3025

Part Number	Length of Joint	Width Open	Gauge of Metal	Screw Size	Screws Hinge	Packing per Box	Weight per Box	Knuckle Size
20-2015	2.0"	1.5"	0.093"	6 x 0.75"	6	5 pcs	0.48 lbs	1.12"H x 0.39"D
20-2520	2.5"	2.0"	0.093"	6 x 0.75"	6	5 pcs	0.78 lbs	1.49"H x 0.50"D
20-3025	3.0"	2.5"	0.093"	8 x 0.75"	6	5 pcs	1.00 lbs	1.62"H x 0.50"D

- **Olive Knuckle Hinges are priced and sold as eaches.**
- Hinges Number 20-2015 and 20-2520 are equipped with one brass bushing each.
- Hinge 20-3025 is equipped with one precision machined ball bearing assembly.
- Ball bearings are machined from 300 series Stainless Steel and employ Stainless Steel balls.
- All pins are machined from 300 series Stainless Steel.
- **All Olive Knuckle Hinges are handed.** Be sure to specify hand of hinge when ordering.

All Prices in US Dollars - Prices Subject to Change Without Notice
Please Check with Customer Service for Up to Date Pricing.



Moorestown Bell Push

		Standard	Distressed	ETERNA
25-8858-175	Small Moorestown Bell Push	185.47	199.64	213.81
<hr/>				
25-8858-262	Large Moorestown Bell Push	189.34	202.22	218.96
<hr/>				
256-7008	Oblong Moorestown Bell Push	257.60	309.12	338.74

All Prices in US Dollars - Prices Subject to Change Without Notice
Please Check with Customer Service for Up to Date Pricing.



Moorestown Deadbolt

		Standard	Distressed	ETERNA
1885881	Moorestown Deadbolt 2 3/8" Backset, Single Cylinder	270.48	302.68	329.73
1885841	Moorestown Deadbolt 2 3/4" Backset, Single Cylinder	270.48	302.68	329.73
1885882	Moorestown Deadbolt 2 3/8" Backset, Double Cylinder	287.79	317.72	337.20
1885842	Moorestown Deadbolt 2 3/4" Backset, Double Cylinder	287.79	317.72	337.20

Moorestown Bell Push

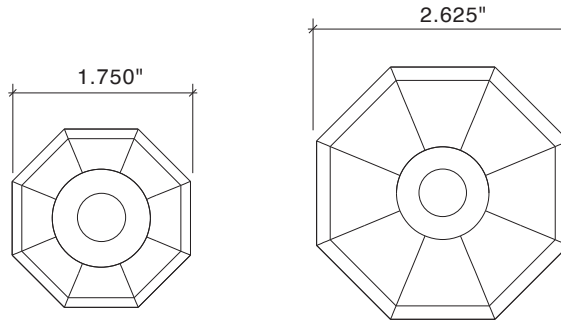


Small
Moorestown
Bell Push

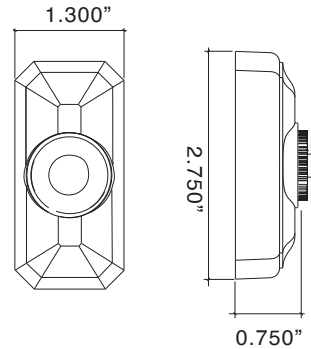
- Traditional Octagonal Design
- Solid Forged Brass
- Hand Polished
- Fully Concealed Mounting
- Available in Small, Large or Oblong Rose
- Bright White LED Illuminated Push Button



Oblong
Moorestown
Bell Push



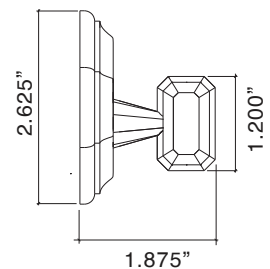
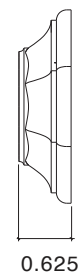
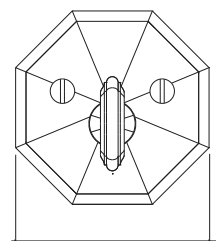
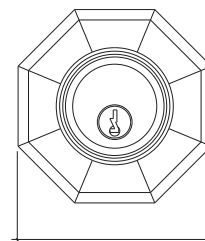
Large
Moorestown
Bell Push



Moorestown Deadbolt



- Traditional Octagonal Design
- Solid Forged Brass
- Hand Polished
- Nicely Paired with Moorestown Knob or Lever on Rose





Moorestown Pocket Door Lock Sets

* Moorestown Pocket Door Trim is Made-to-Order		Standard	Distressed	ETERNA
8284990	Moorestown Pocket Door Lock, Passage	924.78	1048.43	1222.31
8284991	Moorestown Pocket Door Lock, Privacy	893.87	1014.94	1190.11
8284993	Moorestown Pocket Door Lock, Single Cylinder	918.34	1040.70	1209.43
8284994	Moorestown Pocket Door Lock, Double Cylinder	911.90	1032.98	1196.55
8284992	Moorestown Pocket Door Lock, Cut for Bit Key	885.18	1007.54	1186.89
8284995	Moorestown Pocket Door Lock, Non Latch Passage	830.62	950.54	1119.27
8284996	Moorestown Pocket Door Lock, Patio Function	893.87	1014.94	1190.11
8284997	Moorestown Pocket Door Lock, Edge Pull Set	794.70	915.77	1080.63

All Prices in US Dollars - Prices Subject to Change Without Notice
Please Check with Customer Service for Up to Date Pricing.



Moorestown Tilt Turn Trim

		Standard	Distressed	ETERNA
700834	Moorestown Tilt Turn Cover with Small Moorestown Lever	300.43	341.64	341.64
700833	Moorestown Tilt Turn Cover with Large Moorestown Lever	349.37	386.72	386.72

All Prices in US Dollars - Prices Subject to Change Without Notice
Please Check with Customer Service for Up to Date Pricing.



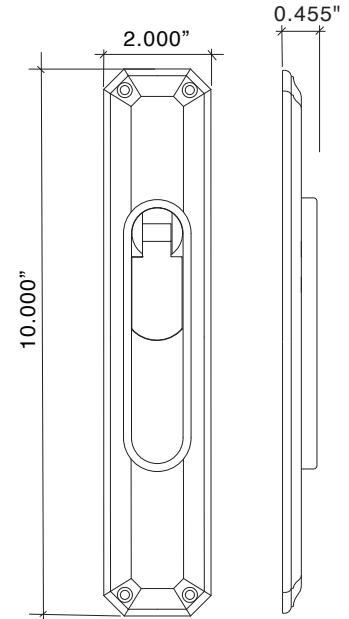
Moorestown Handrail Brackets

		Standard	Distressed	ETERNA
26-5817	Handrail Bracket with Small Moorestown Rose	154.04	185.22	203.11
26-5826	Handrail Bracket with Large Moorestown Rose	164.99	189.59	207.49

Moorestown Pocket Door Lock



- Traditional Octagonal Design
- Solid Forged Brass Plate
- Solid Forged Brass Finger Pull
- Hand Polished
- Plates available in Five Options:
 - Drop Ring
 - ER Button
 - Cut for Cylinder
 - Bit Key
 - Blank
- Suited Pocket Door Hardware is Made-to-Order, Non cancelable, once ordered, and Non-Returnable
- Plates are Surface Mounted
- Minimum Door Thickness 1 3/4"
- Requires 1/2" to 5/8" of clearance at the pocket.
- **See Pocket Door Section for More Detailed Information on how to prepare the Door and Pocket Trim**

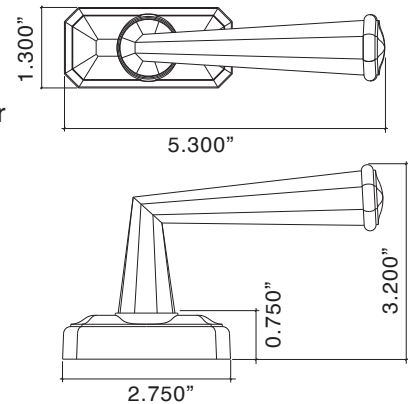


Moorestown Tilt-Turn Window Trim



700834

- Traditional Octagonal Design
- Solid Forged Brass Lever and Cover
- Hand Polished
- Fully Concealed Mounting
- All Von Morris Levers are interchangeable
- Includes Indexing Box
- Fits all Tilt-Turn Windows
- Also available with Large Lever



Moorestown Handrail Bracket

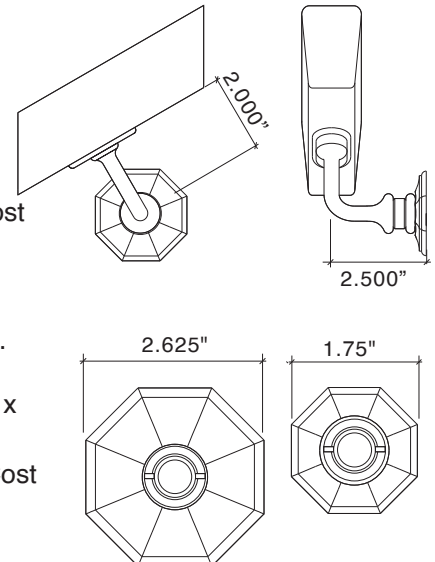


- Solid Forged Brass
- Fully concealed mounting
- "T" Nut finished to match Rose
- Radius Saddle Adapter available at additional cost

Dimensions:

Projection: Wall to centerline of railing: 2.625".
 Clearance: 1.625" using 2.0" outside diameter rail.
 Standard Saddle: 1.0" wide x 2.0" long - flat.
 Fasteners: 5/16" x 2.0" hanger bolt and three #12 x 2.0" steel wood screws.

- Radius Saddle Adapter Available at Additional Cost





Moorestown Privacy/Locking Cremone Bolt

	<i>Includes Weave Suited Trim</i>	Standard	Distressed	ETERNA
BOL135-84	Privacy Cremone Bolt for 7'0 Door	2,508.10	2,730.50	3,033.90
BOL135-96	Privacy Cremone Bolt for 8'0 Door	2,772.84	3,016.26	3,351.41
BOL135-120	Privacy Cremone Bolt for 10'0 Door	3,302.04	3,587.80	4,012.40

All Prices in US Dollars - Prices Subject to Change Without Notice
Please Check with Customer Service for Up to Date Pricing.

Moorestown Dummy Privacy Cremone Bolt

	<i>Includes Weave Suited Trim</i>	Standard	Distressed	ETERNA
BOL147-84	Dummy Privacy Cremone Bolt for 7'0 Door	1,279.80	1,396.20	1,550.00
BOL147-96	Dummy Privacy Cremone Bolt for 8'0 Door	1,609.60	1,753.40	1,946.76
BOL147-120	Dummy Privacy Cremone Bolt for 10'0 Door	2,271.00	2,467.82	2,740.42

Supplied Standard



2100-US
Universal Strike



9941-045
Double Sided
Special Spindle



9150
Rim Cylinder

Optional Accessories



2100-AS
Angle Strike

ACC171
Moorestown Box Strike

Cremone Bolt Accessories

		Standard	Distressed	ETERNA
2100-AS	Optional Angle Strike	20.56	22.15	23.72
ACC171	Moorestown Box Strike	66.00	73.00	82.00
9150	Rim Cylinder	58.80	63.50	70.56
		Mill Finish		
9931-020	Single Sided 2.0" Spindle	28.00		
9941-045	Double Sided 4.5" Spindle	72.80		
2700-06A	Double Sided 6.0" Spindle for Thick Doors 3" Max Thickness	72.80		

Moorestown Locking Privacy Cremone Bolt



Features:

Von Morris Weave Cremone Bolts feature a solid brass case CNC milled from brass billet and guides with an internal mechanism of brass and stainless steel. The Locking Cremone case is very narrow, less than 1.5", for use on narrow stiles of French doors and windows. Cremone Bolt locks from the exterior with a rim cylinder and inside with a turnpiece. Cremone case contains a cassette mechanism that can be handed simply by reversing the cassette. The Cremone can also be easily changed from lever operation (90° rotation) to knob operation (180°) simply by relocating the spindle. Shoot Bolts are attached to the Cremone mechanism with machine screws. Cremone Bolt design is very clean, featuring concealed Shoot Bolt guides. **Price Includes Moorestown Turnpiece and Cylinder Collar along with either a pair of Small Moorestown Levers or Knobs, and a small Moorestown Rose for the exterior**

Guides::

End Guides have a flat spring operating on the front of the bolt to prevent rattling. The length of the Guide and placement of the spring conceals any scratches on the bolt caused by the spring. This End Guide design allows the bolts to be installed on the door and then cut to length at the job site.

Locking Cremone Case Size:

Length of Cassette:	10.25"
Width:	1.463"
Height to edge of case:	0.787"
Height to face of knob/lever boss:	1.024"
Spindle hub to turnpiece spacing:	2.250"
Spindle hub to cylinder spacing:	2.467"

Spindle Height: Standard Spindle height is 42".

Standard Lengths: 7', 8' and 10'. Other sizes by special order.
Bolts can be cut to size at job site.

Hub Rotation: Knob - 180° rotation. Lever - 90° rotation.

Throw: Knob Operation – 1.00" Lever Operation – 0.75"

Spindle: Cremones are supplied with a special spindle for double sided operation

Bolts:
Bottom bolt: 0.625" wide x 40.01"
Top bolt: 0.625" wide x 40.03" for a 7.0' Door
Top bolt: 0.625" wide x 52.92" for a 8.0' Door
Top bolt: 0.625" wide x 76.92" for a 10.0' Door

Strikes: Cremone Bolts are supplied with Mortise and Universal strikes. Angle strikes and Box strikes are available at an additional cost.



Moorestown Standard/Passage Cremone Bolt

	<i>Includes Moorestown Suited Trim</i>	Standard	Distressed	ETERNA
BOL136-84	Standard Cremone Bolt for 7'0 Door	1,069.90	1,169.93	1,298.31
BOL136-96	Standard Cremone Bolt for 8'0 Door	1,334.50	1,455.70	1,615.50
BOL136-120	Standard Cremone Bolt for 10'0 Door	1,863.65	2,027.25	2,250.00

All Prices in US Dollars - Prices Subject to Change Without Notice
Please Check with Customer Service for Up to Date Pricing.

Supplied Standard



2100-US
Universal Strike



9941-045
Double Sided
Special Spindle



9150
Rim Cylinder

Optional Accessories



2100-AS
Angle Strike

ACC171
Moorestown Box Strike

Cremone Bolt Accessories

		Standard	Distressed	ETERNA
2100-AS	Optional Angle Strike	20.56	22.15	23.72
ACC171	Moorestown Box Strike	66.00	73.00	82.00
9150	Rim Cylinder	58.80	63.50	70.56
		Mill Finish		
9931-020	Single Sided 2.0" Spindle	28.00		
9941-045	Double Sided 4.5" Spindle	72.80		
2700-06A	Double Sided 6.0" Spindle for Thick Doors 3" Max Thickness	72.80		

Moorestown Standard/Passage Cremone Bolt



Features:

Von Morris Moorestown Cremone Bolts feature a solid brass case CNC milled from brass billet and guides with an internal mechanism of brass and stainless steel. The Standard Cremone case is very narrow, less than 1.5", for use on narrow stiles of French doors and windows. Cremone case contains a cassette mechanism that can be handed simply by reversing the cassette. The Cremone can also be easily changed from lever operation (90° rotation) to knob operation (180°) simply by relocating the spindle. Shoot Bolts are attached to the Cremone mechanism with machine screws. **Price Includes a half pair of Small Moorestown Levers or Knobs.**

Guides:

End Guides have a flat spring operating on the front of the bolt to prevent rattling. The length of the Guide and placement of the spring conceals any scratches on the bolt caused by the spring. This End Guide design allows the bolts to be installed on the door and then cut to length at the job site.

Locking Cremone Case Size:

Length of Cassette:	10.25"
Width:	1.463"
Height to edge of case:	0.787"
Height to face of knob/lever boss:	1.024"
Spindle hub to turnpiece spacing:	2.250"
Spindle hub to cylinder spacing:	2.467"

Spindle Height: Standard Spindle height is 42".

Standard Lengths: 7', 8' and 10'. Other sizes by special order.
Bolts can be cut to size at job site.

Hub Rotation: Knob - 180° rotation. Lever - 90° rotation.

Throw: Knob Operation – 1.00" Lever Operation – 0.75"

Spindle: Cremones are supplied with a special spindle for double sided operation

Bolts:
Bottom bolt: 0.625" wide x 40.01"
Top bolt: 0.625" wide x 40.03" for a 7.0' Door
Top bolt: 0.625" wide x 52.92" for a 8.0' Door
Top bolt: 0.625" wide x 76.92" for a 10.0' Door

Strikes: Cremone Bolts are supplied with Mortise and Universal strikes. Angle strikes and Box strikes are available at an additional cost.



Moorestown Door Knocker

		Standard	Distressed	ETERNA
ACC-182	Moorestown Door Knocker	995.00	1,195.00	1,495.00

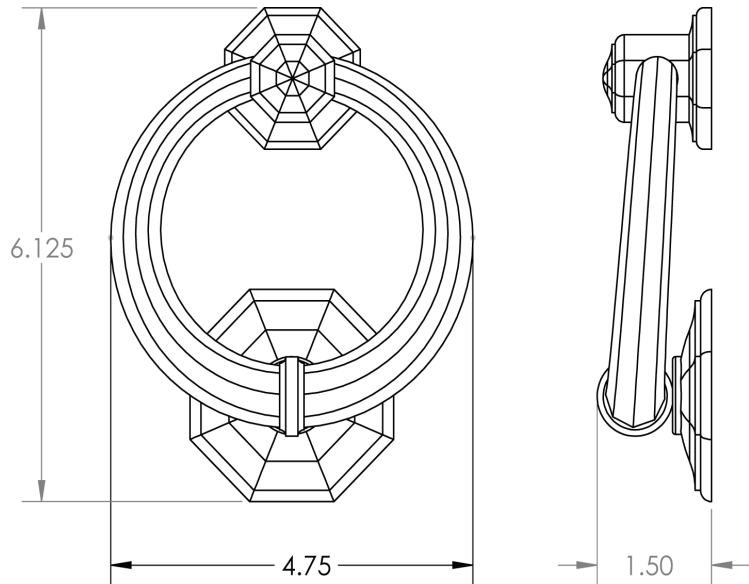
All Prices in US Dollars - Prices Subject to Change Without Notice
Please Check with Customer Service for Up to Date Pricing.

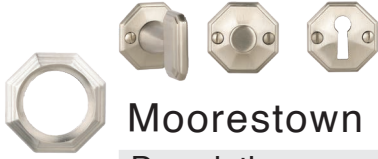
Moorestown Door Knocker



ACC-182

- Traditional Octagonal Design
- Solid Forged Brass
- Hand Polished
- Fully Concealed Mounting





Moorestown Sectional Trim Components

	Description	Standard	Distressed	ETERNA
9538/31	Mortise Bolt w/ Beaded Rose w/Turnpiece	243.56	274.22	316.85
9538/32	Mortise Bolt w/ Beaded Rose w/Turnpiece and ER Rose	317.60	361.11	413.41
8808-175	Pair Small Moorestown Knobs	195.44	229.44	254.93
8808-275	Pair Large Moorestown Knobs	299.46	306.54	357.03
8834	Pair Small Moorestown Levers	206.22	242.10	269.00
8833	Pair Large Moorestown Levers	286.71	315.56	367.85
8858-175	Pair Small Moorestown Roses	100.72	126.99	135.76
8858-262	Pair Large Moorestown Roses	122.61	135.75	144.51
8868-001	1.25" Moorestown Rose with Turnpiece	168.73	186.76	212.52
8868-002	1.25" Moorestown Rose cut for ER Button	74.04	86.91	96.57
8868-003	1.25" Moorestown Rose cut for Bit Key	66.09	77.59	86.22
8887	Moorestown Turnpiece	104.33	121.07	135.24
8897	Moorestown Cylinder Collar	84.77	99.50	110.55

All IML Privacy and Tubular Mortise Bolt Privacy Sets come with ER Trim Standard on the Exterior. Exterior Bit Key Trim can be substituted for no additional charge.

All Prices in US Dollars - Prices Subject to Change Without Notice
Please Check with Customer Service for Up to Date Pricing.

All Prices in US Dollars - Prices Subject to Change Without Notice
Please Check with Customer Service for Up to Date Pricing.



Moorestown Upright Floor Door Stop

		Standard	Distressed	ETERNA
STP015	Moorestown Upright Floor Door Stop	180.00	198.00	216.00



Moorestown Upright Floor Door Stop with Magnet Holder

		Standard	Distressed	ETERNA
STP015M	Moorestown Floor Door Stop with Magnet Holder	215.00	237.00	258.00



Moorestown Wall Mount Door Stop

		Standard	Distressed	ETERNA
STP017	Moorestown Wall Mount Door Stop	180.00	198.00	216.00



Moorestown Wall Mount Door Stop with Magnet Holder

		Standard	Distressed	ETERNA
STP017M	Moorestown Wall Mount Door Stop with Magnet Holder	215.00	237.00	258.00

Replacement Rubber

		Standard
2359	Replacement Rubber for STP015 and STP017	5.60
2359B	Replacement Black Rubber for STP015 and STP017	7.84
2359BM	Replacement Black Rubber for STP015M and STP017M. Magnet rubber only available in black.	25.75

Moorestown Upright Floor Door Stop



STP015 Moorestown Upright Floor Door Stop

- Moorestown design coordinates with our Moorestown Suited Hardware.
 - Features: Solid Forged Brass, Heavy Duty.
 - Packed: 1 per box with matching wood screws and hanger bolt and expansion shield.
 - Weight: 0.66 lbs. per box.
 - Replacement Rubber - 2359.
 - Black Replacement Rubber available at additional price - 2359B.
- Dimensions: Height 2.75" Base Diameter 2.25"

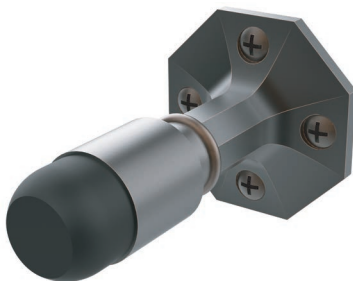
Moorestown Upright Floor Door Stop with Magnet Holder



STP015M Moorestown Upright Floor Door Stop with Magnet Holder

- Moorestown design coordinates with our Moorestown Suited Hardware.
 - Features: Solid Forged Brass, Heavy Duty.
 - Neodymium Super-magnets are concealed within the rubber bumper. Supplied with a brass plate and powder-coated steel insert for mounting to the door sash.
 - Packed: 1 per box with matching wood screws and hanger bolt and expansion shield.
 - Weight: 0.66 lbs. per box.
 - Rubber only available in Black.
 - Replacement Rubber - 2359BM.
- Dimensions: Height 2.75" Base Diameter 2.25"

Moorestown Wall Mount Door Stop



STP017 Moorestown Wall Mount Door Stop

- Moorestown design coordinates with our Moorestown Suited Hardware.
 - Features: Solid CNC Machined Brass, Heavy Duty.
 - Packed: 1 per box with matching wood screws and hanger bolt and expansion shield.
 - Weight: 0.66 lbs. per box.
 - Replacement Rubber - 2359.
 - Black Replacement Rubber available at additional price -2359B.
- Dimensions: Projection 3.25" Base Diameter 2.25"

Moorestown Wall Mount Door Stop with Magnet Holder



STP017M Moorestown Wall Mount Door Stop with Magnet Holder

- Moorestown design coordinates with our Moorestown Suited Hardware.
 - Features: Solid CNC Machined Brass, Heavy Duty.
 - Neodymium Super-magnets are concealed within the rubber bumper. Supplied with a brass plate and powder-coated steel insert for mounting to the door sash.
 - Packed: 1 per box with matching wood screws and hanger bolt and expansion shield.
 - Weight: 0.66 lbs. per box.
 - Rubber only available in Black.
 - Replacement Rubber - 2359BM
- Dimensions: Projection 3.25" Base Diameter 2.25"

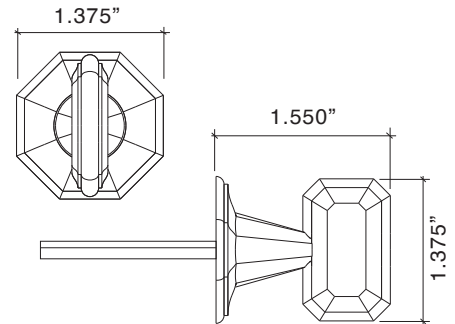
Moorestown Turnpiece Trim

Moorestown Escutcheon with Moorestown Turnpiece



8868-001

- Solid Forged Brass Turnpiece and Escutcheon with octagonal and ogee design.
- Turn piece head mounted perpendicular to face of door evokes a key.
- Furnished with #4 Solid Brass oval head slotted wood screws finished to match Escutcheon and Turnpiece.

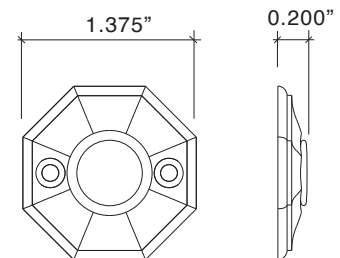


Moorestown ER Trim



8868-002

- Solid Forged Brass Escutcheon.
- Octagonal design Escutcheon has ogee design around perimeter.
- Wrought Brass Hole Cover is included and finished to match Escutcheon.
- Furnished with #4 Solid Brass oval head slotted wood screws finished to match Escutcheon.

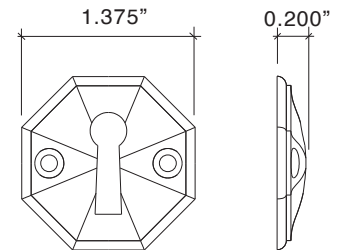


Moorestown Bit Key Trim



8868-003

- Solid Forged Brass Escutcheon.
- Octagonal design Escutcheon has ogee design around perimeter.
- Used for bit key locks or as an alternative to the Emergency Release Escutcheon.
- Furnished with #4 Solid Brass oval head slotted wood screws finished to match Escutcheon.

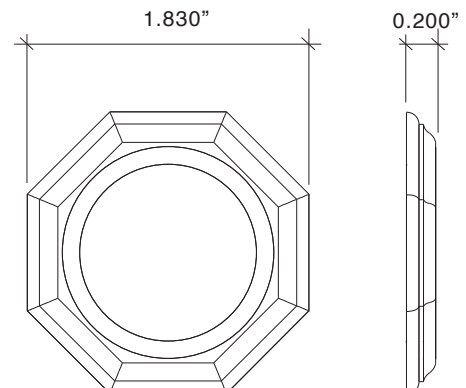


Moorestown Cylinder Collar



8897

- Solid Forged Brass Collar shows ogee design around perimeter.
- Stocked in all standard finishes.





Moorestown Escutcheon Plates

		Standard	Distressed	ETERNA
84915	Moorestown Escutcheon Plate, Blank Push Plate	201.45	236.47	262.75
84900	Moorestown Escutcheon Plate, Cut for Knob/Lever (IML/TL)	205.75	241.52	268.35
84910	Moorestown Escutcheon Plate, Cut for Turn, with Turn (IML/TL)	340.68	399.92	444.36
84911	Moorestown Escutcheon Plate, Cut for ER (IML/TL)	216.26	253.86	282.07
84912	Moorestown Escutcheon Plate, Cut for Bit Key (IML/TL)	216.26	253.86	282.07
84913	Moorestown Escutcheon Plate, Cut for Cylinder (IML)	216.26	253.86	282.07
84916L	Moorestown Escutcheon Plate, Cut for Privacy Pin (Tube Latch)	216.26	253.86	282.07
84916R	Moorestown Escutcheon Plate, Cut for Privacy Pin (Tube Latch)	216.26	253.86	282.07
84917	Moorestown Escutcheon Plate, Cut for Entry Cylinder	230.03	270.04	300.04
84918	Moorestown Escutcheon Plate, Cut for Entry Turnpiece w/ Turnpiece	378.42	444.23	493.59
84919	Moorestown Escutcheon Plate, Cut for Entry with Knob/Lever	230.03	270.04	300.04

All IML Privacy and Tubular Mortise Bolt Privacy Sets come with ER Trim Standard on the Exterior. Exterior Bit Key Trim can be substituted for no additional charge.



All Prices in US Dollars - Prices Subject to Change Without Notice
Please Check with Customer Service for Up to Date Pricing.

Moorestown Sectional Trim Components

	Description	Standard	Distressed	ETERNA
9538/31	Mortise Bolt w/ Beaded Rose w/Turnpiece	243.56	274.22	316.85
9538/32	Mortise Bolt w/ Beaded Rose w/Turnpiece and ER Rose	317.60	361.11	413.41
8808-175	Pair Small Moorestown Knobs	195.44	229.44	254.93
8808-275	Pair Large Moorestown Knobs	299.46	306.54	357.03
8834	Pair Small Moorestown Levers	206.22	242.10	269.00
8833	Pair Large Moorestown Levers	286.71	315.56	367.85
8858-175	Pair Small Moorestown Roses	100.72	126.99	135.76
8858-262	Pair Large Moorestown Roses	122.61	135.75	144.51
8868-001	1.25" Moorestown Rose with Turnpiece	168.73	186.76	212.52
8868-002	1.25" Moorestown Rose cut for ER Button	74.04	86.91	96.57
8868-003	1.25" Moorestown Rose cut for Bit Key	74.04	86.91	96.57
8887	Moorestown Turnpiece	104.33	121.07	135.24
8897	Moorestown Cylinder Collar	84.77	99.50	110.55

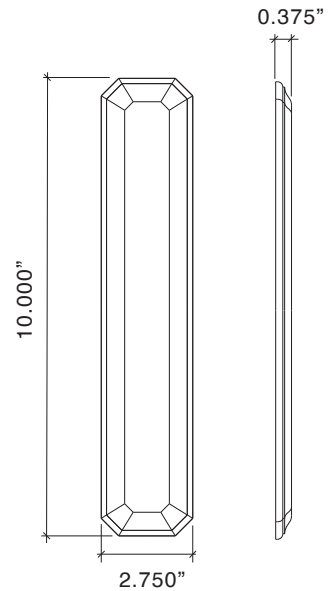
Separate Components

Moorestown Escutcheon Plates



Available In:

- Moorestown Escutcheon Plate, Blank Push Plate
- Moorestown Escutcheon Plate, Cut for Knob/Lever (IML/TL)
- Moorestown Escutcheon Plate, Cut for Turn, with Turn (IML/TL)
- Moorestown Escutcheon Plate, Cut for ER (IML/TL)
- Moorestown Escutcheon Plate, Cut for Bit Key (IML/TL)
- Moorestown Escutcheon Plate, Cut for Cylinder (IML)
- Moorestown Escutcheon Plate, Cut for Privacy Pin (Tube Latch)
- Moorestown Escutcheon Plate, Cut for Privacy Pin (Tube Latch)
- Moorestown Escutcheon Plate, Cut for Entry Cylinder
- Moorestown Escutcheon Plate, Cut for Entry Turnpiece w/ Turnpiece
- Moorestown Escutcheon Plate, Cut for Entry with Knob/Lever



- Traditional Octagonal Design
- Forged Brass Escutcheon Inside and Outside
- Solid Forged Brass Knob/Lever
- Hand Polished
- Plates available with Cuts for all Von Morris Locks as well as Custom Cuts for other Manufacturers' Locks
- Specify door thickness when ordering
- All IML Privacy and Tubular Mortise Bolt Privacy Sets come with ER Trim Standard on the Exterior. Exterior Bit Key Trim can be substituted for no additional charge.

Moorestown Sectional Trim Components



8868-001

Small Moorestown Knob 8808-175
Small Moorestown Rose 8858-175



Small Moorestown Knob 8808-175
Large Moorestown Rose 8858-262



8868-002

Large Moorestown Knob 8808-275
Small Moorestown Rose 8858-175



Large Moorestown Knob 8808-275
Large Moorestown Rose 8858-262



8868-003

Small Moorestown Lever 8834
Small Moorestown Rose 8858-175



Small Moorestown Lever 8834
Large Moorestown Rose 8858-262



8897

Large Moorestown Lever 8833
Small Moorestown Rose 8858-175



Large Moorestown Lever 8833
Large Moorestown Rose 8858-262



MOORESTOWN

